

GAS
AUDIO POWER



MAX USER MANUAL

MAX S1

S1-6D1/S1-8D1/S1-10D1/S1-10D2

HARDCORE CAR AUDIO

WE PLAY LOUD!!

We know what you want. You want it LOUD, and that is exactly what we do, what we live for. Vibrations, gut-punches and straight up loud music - that's what makes us tick. We won't dress up in fancy words or claim to be something we're not. We are the NO BULLSH!T car audio brand!











Every single product with the GAS logo on it is born out of passion, the same that has driven us for two generations and that will keep us rolling up to your neighbourhood, winning and pushing the limits for many generations to come!

It's up to you to choose your own level of loud, and if you don't like what we do that's OK. You are welcome back when you've had your first true GAS experience. We don't exclude, we don't judge and we do not make up any excuses for who we are.

We are GAS and we are proud to be LOUD!

GAS

TABLE OF CONTENT

 SAFETY.....	3
 UNPACKING.....	4
 DIMENSIONS.....	4
 SPECIFICATIONS.....	5
MAX S1-6D1.....	5
MAX S1-8D1.....	5
MAX S1-10D1.....	6
MAX S1-10D2.....	6
 PERFORMANCE.....	7
Thiele/Small parameters.....	7
Impedance vs frequency.....	8
 FEATURES.....	9
Next level bass.....	9
Made to move.....	9
Tuned to the extreme.....	9
Coolest subwoofer on the block.....	9
 HOW TO.....	10
Install subwoofer.....	10
Build enclosure.....	12
Do I need polyfill?.....	14
 TROUBLESHOOTING.....	15
No power/sound.....	15
Unwanted noise.....	15
Distortion.....	15
 WARRANTY & DISPOSAL.....	16
 THE GAS WORLD.....	17



SAFETY

NO COMPROMISES! Especially when it comes to safety. Before installing your MAX S1 series subwoofer, make sure that you read through the manual thoroughly and follow the instructions. Save the manual for future usage and reference!

Make sure to pay attention to the instructions when you see this symbol: 

Do not expose your new subwoofer to excessive damp or moisture. If the subwoofer is exposed it might result in electric failure, shock or damage to the product. Servicing is required when the product has been damaged in any way and/or doesn't operate normally. Refer all servicing to qualified service personnel only.

Keep the cables inside the vehicle separate from sharp edges or components that may be affected or take damage. Follow the recommended cable sizes and always use high quality cables and accessories. Even if you're eager to put the subwoofer to use - take no shortcuts when installing the cables, make sure that all connectors are protected and secured.

Do not drill any holes without checking what lies beneath, and don't cut anything without making sure that no important components risk being damaged.

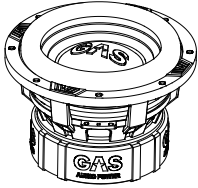
There is a first time for everything, if you need help - ask a friend or contact your local GAS AUDIO POWER dealer/installer.

We want you to experience your products to the MAX, but we don't want you to injure yourself or others. Use common sense, respect high pressure levels and volume, and follow your local laws and regulations.



UNPACKING

Unboxing your new MAX product is an experience, make sure that the subwoofer and all the accessories are included in the packaging:

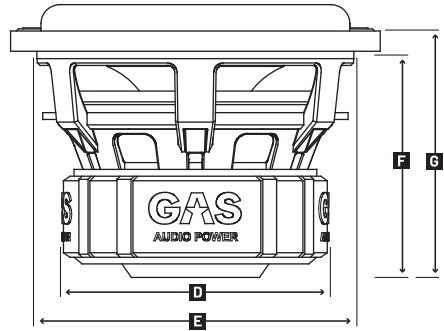
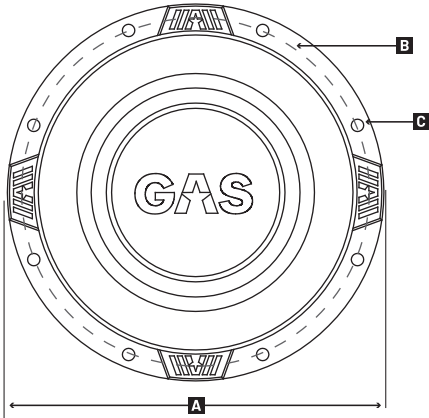


Subwoofer



Manual

DIMENSIONS



	A	B	C	D	E	F	G	
S1-6D1	Ø181.5	Ø163	Ø6	Ø143	Ø151	109	122	mm
S1-8D1	Ø220.5	Ø201	Ø6	Ø164	Ø185	141	157	mm
S1-10D1/D2	Ø275	Ø255	Ø6	Ø202	Ø235	166	181	mm



SPECIFICATIONS

Below you'll find the specifications that has been checked and tested in our workshop. The specified sensitivity isn't directly connected with the sound pressure in the vehicle, and shouldn't be used as the sole indicator for comparison with other subwoofers.

MAX S1-6D1	
Component	Subwoofer
Size	6.5" (165mm)
Nominal impedance	1+1 Ohm
Power RMS	400W
Power MAX	800W
Freq. response	30-200Hz
Voice coil	Dual 2" PCW
Voice coil former	Aluminum
Cone	Non-Pressed Paper
Dustcap	3D IMPP
Basket	HD Aluminum
Magnet	2x30oz HQ Ferrite
Suspension	High roll foam w. stitch
Spider	Dual Nomex
Tinsel	Dual silver coated leads
Terminal	Heavy duty push terminals
Weight	5.8 KG

MAX S1-8D1	
Component	Subwoofer
Size	8" (200mm)
Nominal impedance	1+1 Ohm
Power RMS	550W
Power MAX	1100W
Freq. response	25-200Hz
Voice coil	Dual 2.5" PCW
Voice coil former	Aluminum
Cone	Non-Pressed Paper
Dustcap	3D IMPP
Basket	HD Aluminum
Magnet	2x56oz HQ Ferrite
Suspension	High roll foam w. dual stitch
Spider	Dual Nomex
Tinsel	Dual silver coated leads
Terminal	Heavy duty push terminals
Weight	8.7 KG

SPECIFICATIONS

MAX S1-10D1	
Component	Subwoofer
Size	10" (250mm)
Nominal impedance	1+1 Ohm
Power RMS	1500W
Power MAX	3000W
Freq. response	25-200Hz
Voice coil	Dual 3" PCW
Voice coil former	Aluminum
Cone	Non-Pressed Paper
Dustcap	3D IMPP
Basket	HD Aluminum
Magnet	2x100oz HQ Ferrite
Suspension	High roll foam w. dual stitch
Spider	Dual Nomex
Tinsel	Dual silver coated leads
Terminal	Heavy duty push terminals
Weight	12.8 KG

MAX S1-10D2	
Component	Subwoofer
Size	10" (250mm)
Nominal impedance	2+2 Ohm
Power RMS	1500W
Power MAX	3000W
Freq. response	25-200Hz
Voice coil	Dual 3" PCW
Voice coil former	Aluminum
Cone	Non-Pressed Paper
Dustcap	3D IMPP
Basket	HD Aluminum
Magnet	2x100oz HQ Ferrite
Suspension	High roll foam w. dual stitch
Spider	Dual Nomex
Tinsel	Dual silver coated leads
Terminal	Heavy duty push terminals
Weight	12.8 KG

PERFORMANCE

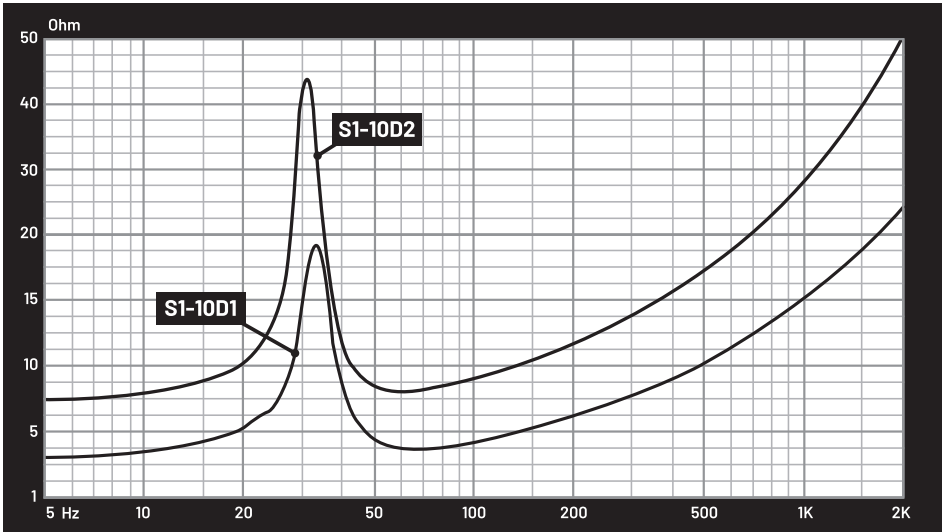
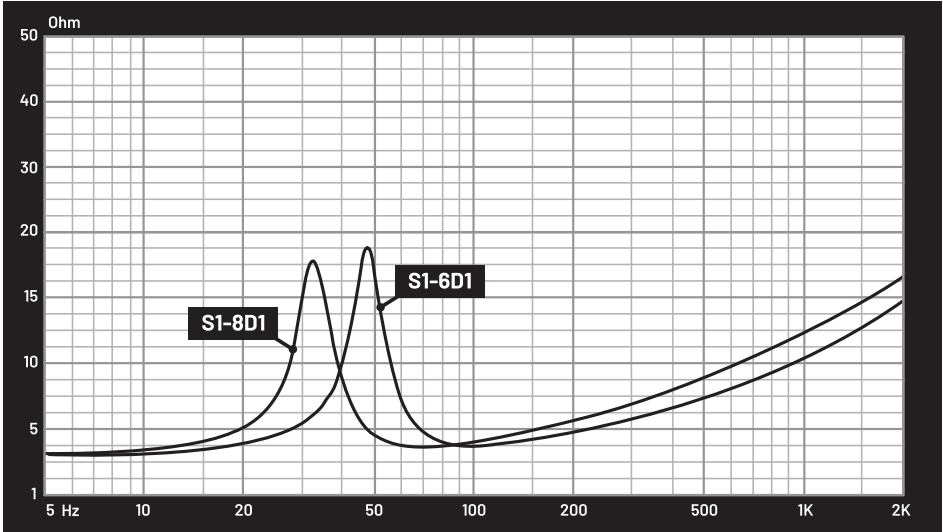
THIELE/SMALL PARAMETERS

	S1-6D1	S1-8D1
Impedance	1+1 0hm	1+1 0hm
Re	1.8 0hm	1.8 0hm
Fs	48.3Hz	33.1Hz
Qms	4.57	3.78
Qes	0.48	0.47
Qts	0.43	0.42
Vas	3.9 L	8.8 L
Sd (cm²)	143	201
Mms	79.7 g	147.5 g
Le	0.79mH	0.87mH
Xmax	11mm	12mm
dB/SPL	81dB 1W/1M	80dB 1W/1M
BI	9.8	11.4
Driver Vol. Displacement	1.0 L	1.4 L

	S1-10D1	S1-10D2
Impedance	1+1 0hm	2+2 0hm
Re	1.8 0hm	3.8 0hm
Fs	33.3Hz	31Hz
Qms	5.52	5.71
Qes	0.51	0.53
Qts	0.47	0.49
Vas	11.7 L	14.9 L
Sd (cm²)	330	330
Mms	320 g	309.1 g
Le	1.26mH	3.09mH
Xmax	20mm	20mm
dB/SPL	81dB 1W/1M	82dB 1W/1M
BI	14.9	21.4
Driver Vol. Displacement	2.5 L	2.5 L

PERFORMANCE

IMPEDANCE VS FREQUENCY



FEATURES

If you have this in your hand, you have finally made it. Congratulations! You are ready to take the next step, to enter a world of NO COMPROMISES with a subwoofer that will take your car to a whole new level. So get out there and impress the non-believers! Show them that true dedication comes from the inside of your trunk and that “good enough” just doesn’t cut it.

NEXT LEVEL BASS

A MAX subwoofer is designed to test the limits and match your dedication in performance and style. Made for the hardcore bass heads out there - with a rigid and durable cone made by non-pressed paper with Mica minerals that perfectly balances awesome power, weight and musicality.

MADE TO MOVE

The dust cap is made of IMPP for a unique 3D design, an idea we borrowed from the MAD S2 series. But since this is MAX, we took it one step further. With an impressive high roll foam suspension, you get even more awesome cone movement. The dual voice coil wire is made of PCW (Pure Copper Wire) and we’ve introduced a bumped back plate on the 8” and 10” models for some extra mechanical Xmax, which also minimizes the risk of voice coil damage.

TUNED TO THE EXTREME

The MAX S1 subwoofers will let everyone know that your audio dedication is real. No detail has been overseen, and no compromises have been made. We show our dedication to the craft of bass with dual stacked HQ ferrite magnets to achieve an insane amount of motor in the subwoofer. For extra durability, we’ve also added a Dual Nomex spider to all models, and dual stitching on the 8” and 10” models. This makes sure that the last thing standing will be your sound system. These subwoofer are extreme and over the top, as they should be!

COOLEST SUBWOOFER ON THE BLOCK

The MAX S1 will show everyone that you have reached the next level, the MAX level. Having a subwoofer perform at this level demands extremely good ventilation. Only the best and beyond is good enough! We solved the cooling in two different ways. The material in the top/back plate is thicker for optimal heat conduction, and the implemented DVS2 (Dual Ventilation System) creates incredible heat dissipation while also reducing distortion.


HOW TO

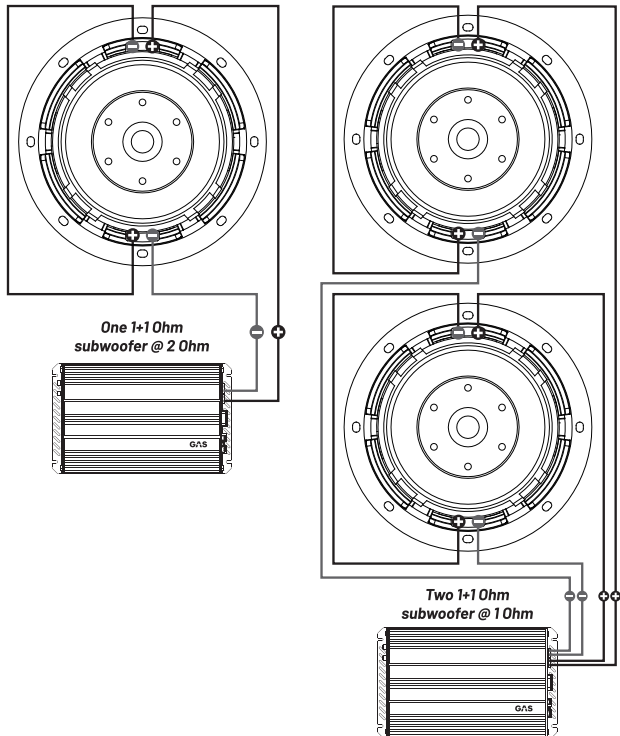
INSTALL SUBWOOFER

Before installing your brand new subwoofer, make sure that you have everything you need. Have the right tools ready, and make sure that you have the necessary knowledge/skill to perform the installation properly. Preparation and knowledge is crucial!

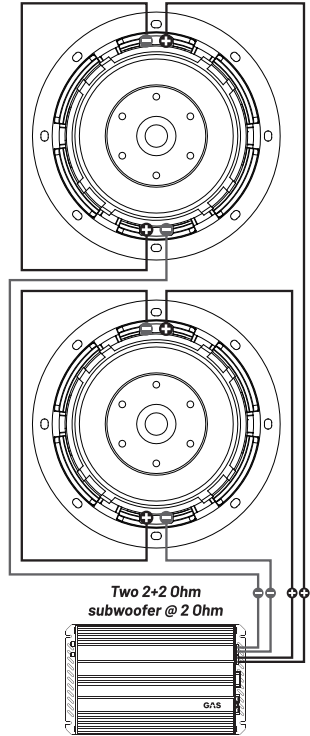
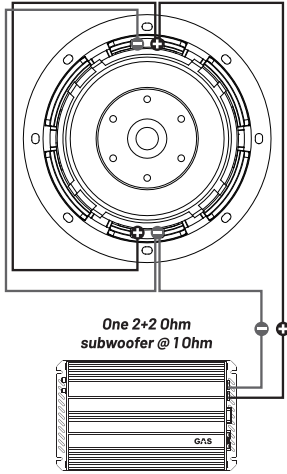
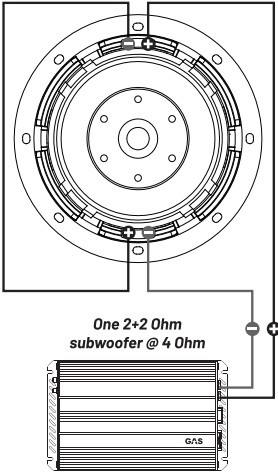
The MAX S1-6D1/S1-8D1/S1-10D1 uses dual 1 Ohm voice coils, while the MAX S1-10D2 uses dual 2 Ohm voice coils. If you want to connect two or more S1 series subwoofers, you can vary the impedance by altering the wiring configuration to use a series, parallel or series-parallel setup. The more the merrier!


Make sure to look through the recommended wiring schematics below and choose the setup that corresponds with the number of subwoofers in your sound system. Take note of the impedance stability of your amplifier. Don't be afraid to consult your local GAS AUDIO POWER dealer/installer if you have any questions.

 It is important to know the limits of your amplifier. Be sure to connect your sound system with a suitable impedance to optimize your sound system.



HOW TO

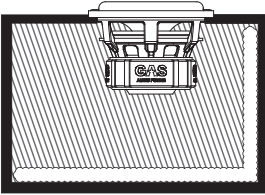


 It is important to know the limits of your amplifier. Be sure to connect your sound system with a suitable impedance to optimize your sound system.

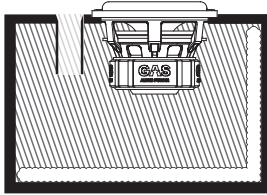
HOW TO

BUILD ENCLOSURE

If you want a LOUD and awesome looking sound system, you should mount your MAX subwoofer in an enclosure. Here's information about optimized volumes for different types of enclosures and how they perform with the MAX S1 subwoofer. If you feel unsure about how to build an enclosure on your own, consult a local GAS AUDIO POWER dealer/installer.



SEALED

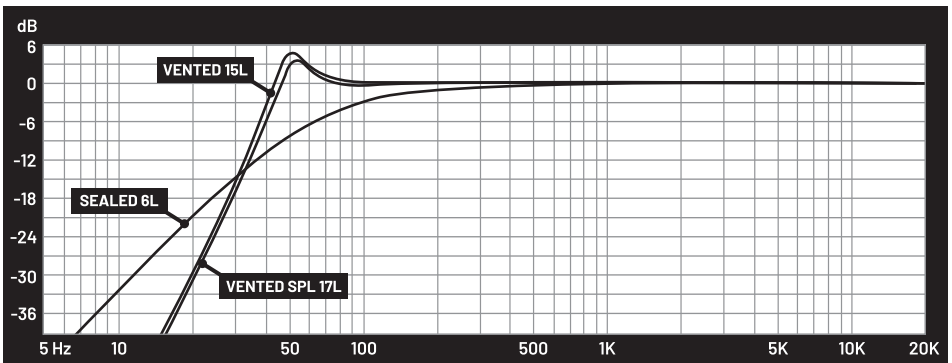


VENTED

MAX S1-6D1:

	VOLUME	F3	QTC	FB	PORT	LENGTH	POLYFILL
SEALED	6L*	93Hz	0.55	x	x	x	Medium
VENTED	15L*	42Hz	x	50Hz	1x3" (70mm)	185mm	Mini
VENTED SPL	17L*	44Hz	x	57Hz	1x3" (70mm)	310mm	x

* Driver displacement volume included

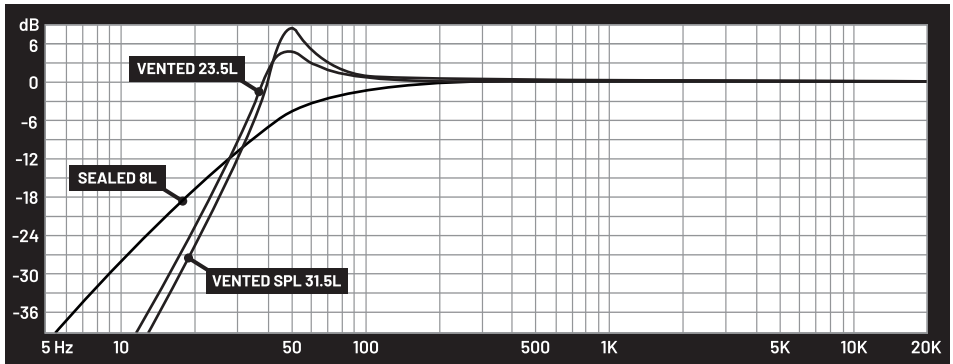


HOW TO

MAX S1-8D1:

	VOLUME	F3	QTC	FB	PORT	LENGTH	POLYFILL
SEALED	8L*	64Hz	0.57	x	x	x	Medium
VENTED	23.5L*	37Hz	x	45Hz	1x3" (70mm)	225mm	Medium
VENTED SPL	31.5L*	37Hz	x	47Hz	1x4" (104mm)	365mm	x

* Driver displacement volume included



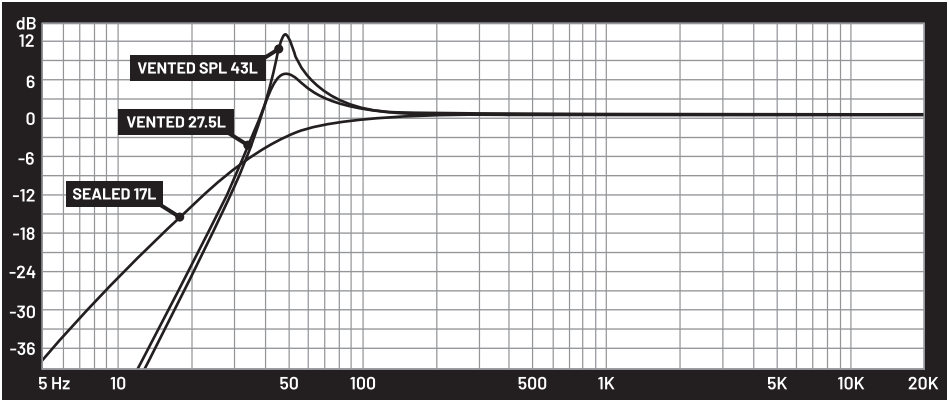
MAX S1-10D1/D2:

	VOLUME	F3	QTC	FB	PORT	LENGTH	POLYFILL
SEALED	17L*	57Hz	0.57	x	x	x	Medium
VENTED	27.5L*	36Hz	x	45Hz	Slot 500mm ²	400mm	Medium
VENTED SPL	43L*	37Hz	x	47Hz	Slot 1120mm ²	380mm	x

* Driver displacement volume included

HOW TO

MAX S1-10D1/D2:



DO I NEED POLYFILL?

Hell yeah! We recommend using polyfill for all sealed, vented and bandpass enclosures for the best overall performance.

A polyfilled enclosure will bring out the full potential of your subwoofer, by starting an isothermal process when energy flows through the fibers (very scientific). This means that the air gets more dense, so it lessens the BOOM and brings out the BASS! It can also reduce harmonic distortion. Sounds complicated, we know. But it's easy to do! Cover two sides in a ported enclosure or make a loose polyfill ball behind the driver in a sealed enclosure. Try it out! If you like the bass to hit harder - just take away some. Do you want to lessen the effect? Put in some more.

TROUBLESHOOTING

NO POWER/SOUND

Check the subwoofer to make sure it isn't damaged. If your subwoofer doesn't get any power, the most common issue is either in the wiring or in the amplifier. Use a multimeter to measure the amplifier's voltage on the +12V terminal and the remote signal terminal. Use a multimeter to make sure that you have a negative ground connection. Check the built-in fuse (if there's one) on the amplifier. If there's no power coming through - control the fuse on the power cable. If this is intact - make a full check of the wiring to ensure cable integrity.

Check all the speakers connected to your sound system. Check all the speaker cables and all the signal cables. Check your head unit to make sure no settings are limiting the amplifier's functions or the subwoofer. When all of the above has been tested/looked over, and all is as it should be but there's still no sound, consult your local GAS dealer.

UNWANTED NOISE

Start by looking over the subwoofer and other speakers in the sound system so there is no damage or connection issue with the wiring. Make sure that your signal cables or speaker cables aren't too close to the power cables. Check your amplifier's grounding point and make sure that the surface is clean. When all of the above has been tested/looked over, and the unwanted noise does not vanish, consult your local GAS dealer

DISTORTION

Start by looking over the subwoofer and other speakers in the sound system so there's no damage or connection issue with the wiring. Check the speaker cables to make sure that the polarity isn't reversed on one channel. Check the settings on the amplifier, make sure that the gain/level is set according to the amplifier's instructions. If your amplifier has a boost function, lower its effect or turn it off.

WARRANTY & DISPOSAL

This product is covered by warranty, depending on the conditions in the country where it's sold. If the subwoofer is returned for service, please include the original dated receipt (or a copy) with the product. Make sure that the subwoofer is packaged properly and secured, preferably in its original packaging.



The crossed-out wheeie bin symbol means that the product, literature and packaging included must be taken to separate collection at the end of their working life. Don't dispose of these products as unsorted municipal waste: take them for recycling. For info on your nearest recycling point, check with your local waste authority.



This product has been granted with the CE certification mark to show that the product follows the health, safety, and environmental protection standards for products sold within the European Economic Area (EEA).



GAS Audio Power products comply with the relevant provisions of the RoHS Directive for the European Union. In common with all Electrical and Electronic Equipment (EEE) the product shouldn't be disposed of as household waste. Alternative arrangements may apply in other jurisdictions.



GAS Audio Power is a global partner of the European Mobile Media Association, an organization that focus on promoting the custom made mobile media installations to consumers.

THE GAS WORLD

You've entered the world of GAS. We aim to please, and we've made sure to have products made for you. No matter what stage of the LOUD-addiction you might find yourself in, there is a GAS product to fill your need.

MAD

Just starting out? The MAD series is made to play LOUD and to be the express lane to a no bullsh!t sound system that will make sure everyone can hear you coming!

MAX

The MAX series holds products made to deserve the center stage. Powerful, heavy duty and designed to be noticed. We made NO COMPROMISES because we know that you wouldn't accept it.

CMP

The CMP series has been developed for the crucial seconds when the dB-counter starts to tick. All CMP products have hand-picked, high quality, COMPETITION GRADE components and they are specially designed to withstand an awesome amount of power.



THANKS FOR JOINING GAS AUDIO POWER!



GAS
AUDIO POWER

GAS AUDIO POWER and SHAKY are registered trademarks by Winn Scandinavia AB and is protected by relevant laws and jurisdictions such as Copyright and Trademark laws.

Winn Scandinavia AB | Elementvägen 15, 70227 Örebro, Sweden | www.winnscandinavia.com

Winn Scandinavia AB reserves for possible typos, factual or numeric errors that may have been printed on any products, package designs, user manuals and/or other included accessories.

GAS
AUDIO POWER