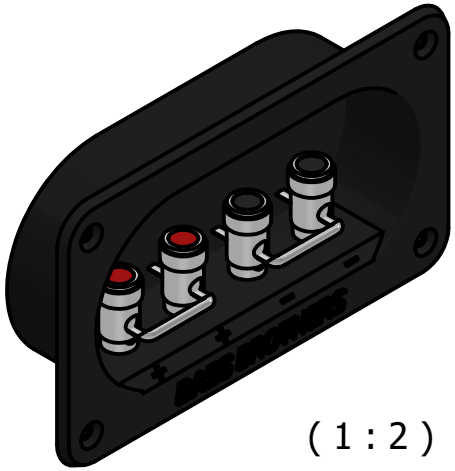
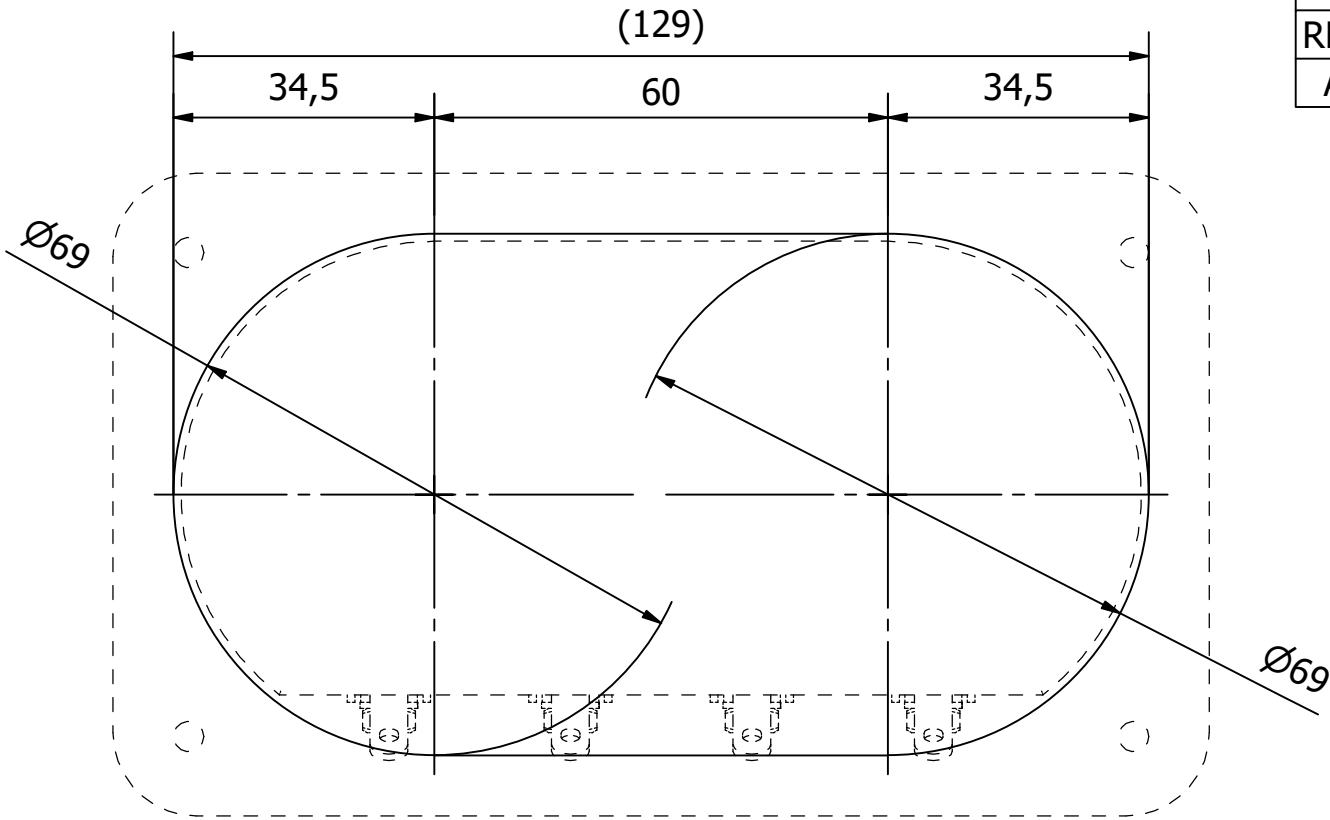


REVISION HISTORY		
REV	DESCRIPTION	DATE
A	First release	14.12.2022



Designed by	Checked by	Approved by	Date	Scale	Date	Format
Eivind	Per Olav	Frode	14.12.2022	1 : 1	14.12.2022	A4

ACCORDING TO INTERNATIONAL LAWS THIS DRAWING/SPECIFICATION IS THE PROPERTY OF BASS BROTHERS AS. THE DRAWING/SPECIFICATION AND CONTENTS CAN NOT BE MADE PUBLIC, COPIED OR OTHERWISE USED, WITHOUT OUR WRITTEN CONSENT.



BASS BROTHERS AS
 N-6090 Fosnavaag
 Phone: +47 70082600
 www.bassbrothers.no

BB CONNECT HØYT. TERMINAL, DOBBEL

BBTERM04 - Cut-out

Edition	Sheet
A	1 / 1