

WAVE

BLAM

FRENCH SOUND

Driven by passion.

WAVE 6

Marine & Motor sport woofer

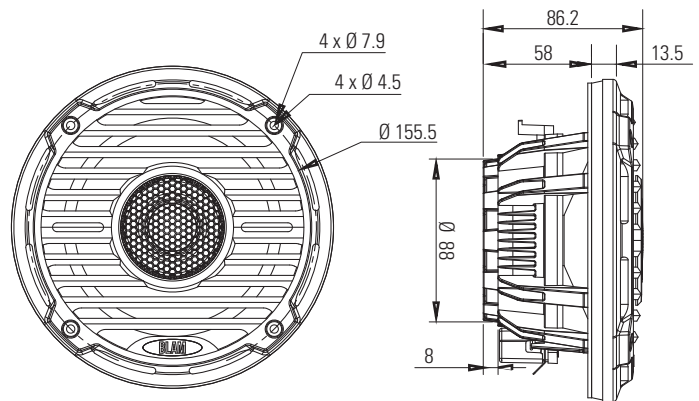
- Woofer 6-1/2" (165 mm)
- Max power 120 W / Nom. power 60 W
- Frequency response 70 Hz - 20 kHz
- Sensitivity 90.5 dB
- Impedance 3 Ohms

ABS composite basket - Polypropylene cone - Butyl rubber surround - Long life "Conex" damper - 26 mm(1") voice coil with kapton former - 80 mm x 15 mm (3,15" x 0,6") motor assembly

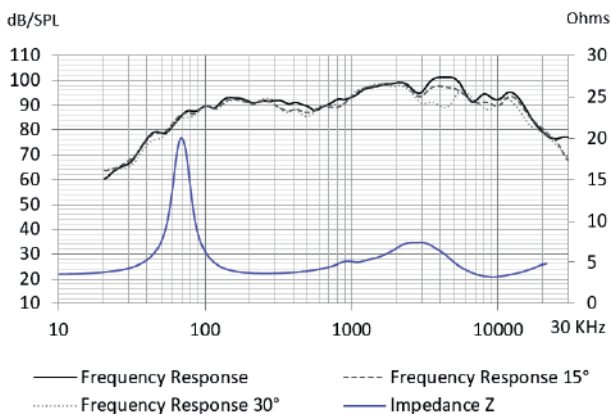


TECHNICAL SPECIFICATIONS

Component	Woofer	
Max power	120 W	
Nominal power	60 W	
Impedance	3 Ω	
Freq. Response	70,0 Hz - 20 kHz	
Efficiency (2,83V/1m)	90.5 dB	
Magnet	Ferrite magnet	
Magnet size Ø x h	80 x 15 mm	3,15" x 0,591"
Total driver displacement	0.11	0.004 cf
Weight of one component	0.97 kg	2,14 lb
Voice coil Ø	26 mm	1.004"
Voice coil height	8.8 mm	0,346"
Cone	polypropylene	



FREQUENCY RESPONSE / IMPEDANCE



THIELE-SMALL PARAMETERS

effective Ø (d)	113 mm
Sd	128,68 cm ²
Xmax	1.9 mm
Re	3,40 Ω
Fs	69.58 Hz
Le	0.13 µH @ 1 kHz
L2	0.01 µH @ 10 kHz
Vas	8.62 L
Mms	14.03 g
Cms	0,373 m/N
BL	4,66 Tm
Qts	0,83
Qes	0,96
Qms	5.85
Sensitivity (dB/W/m)	87 dB

contact@blam-audio.fr
www.facebook.com/blamaudio

www.blam-audio.com

WAVE

WAVE 10

Marine & Motor sport subwoofer

- Subwoofer 10" (250 mm)
- Max power 400 W / Nom. power 200 W
- Frequency response 35 Hz - 200 Hz
- Sensitivity 90 dB - Impedance 4 Ohms

ABS composite basket - Polypropylene cone - Butyl rubber surround - Long life "Conex" damper - 50 mm(2") voice coil with aluminium former - 134 mm x 20 mm (5.3" x 0.8") motor assembly

BLAM

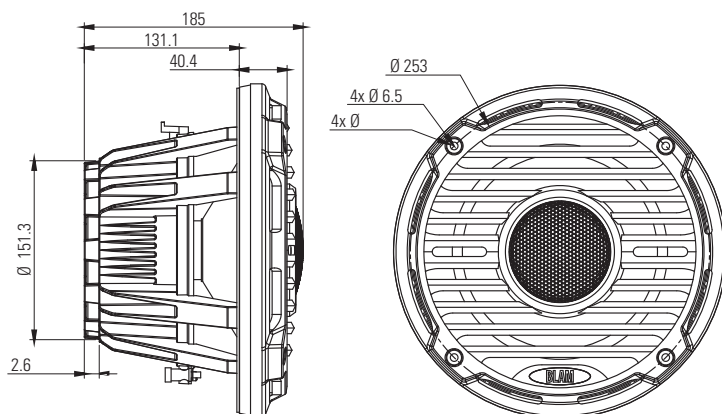
FRENCH SOUND

Driven by passion.

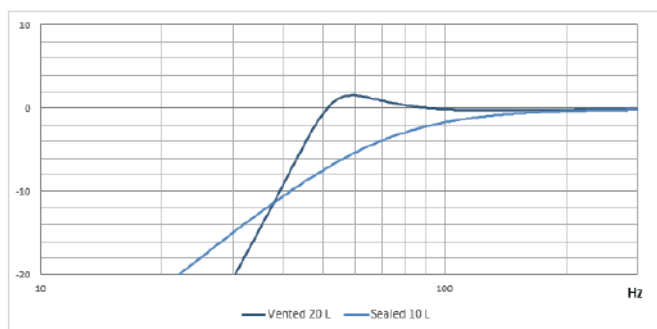


TECHNICAL SPECIFICATIONS

Component	Subwoofer	
Max power	400 W	
Nominal power	200 W	
Impedance	4 Ω	
Freq. Response	35 Hz - 200 Hz	
Efficiency (2,83V/1m)	90 dB	
Magnet	Ferrite magnet	
Magnet size Ø x h	134 x 20 mm	5.276" x 0,787"
Total driver displacement	0.11	0.004 cf
Weight of one component	5.24 kg	11.55 lb
Voice coil Ø	51 mm	1.988"
Voice coil height	26 mm	1.024"
Cone	polypropylene	



SIMULATION



RECOMMENDED ENCLOSURES

Internal volum	Internal Ø port	Length port	F-3 dB	Boost
20 L	8 cm	30 cm	42 Hz	1.7 dB at 54 Hz
10 L	Sealed		79 Hz	No boost

THIELE-SMALL PARAMETERS

effective Ø (d)	113 mm
Sd	128,68 cm ²
Xmax	1.9 mm
Re	3,40 Ω
Fs	69.58 Hz
Le	0.13 µH @ 1 kHz
L2	0.01 µH @10 kHz
Vas	8.62 L
Mms	14.03 g
Cms	0,373 m/N
BL	4,66 Tm
Qts	0,83
Qes	0,96
Qms	5.85
Sensitivity (dB/W/m)	87 dB

contact@blam-audio.fr
www.facebook.com/blamaudio

www.blam-audio.com