

LIVE

BLAM

FRENCH SOUND

Driven by passion.

LW 165 P

Woofer

- Woofer 6-1/2" (165 mm)
- Max power 180 W / Nom. power 90 W
- Frequency response 50 Hz - 8 KHz
- Impedance 3 Ω

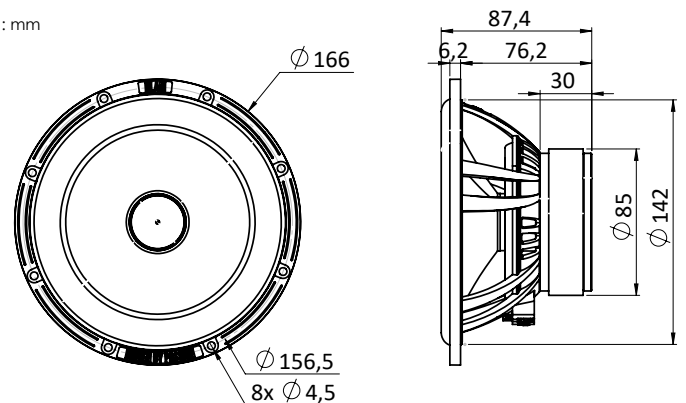
Machined cast aluminium basket - Epoxy resin and glass fiber cone - Butyl rubber surround - Long life "Conex" damper - 32 mm (1.26") voice coil with kapton former - 85 mm x 20 mm (3.3" x 0.8") motor assembly - Thick magnetic circuit (5 mm).



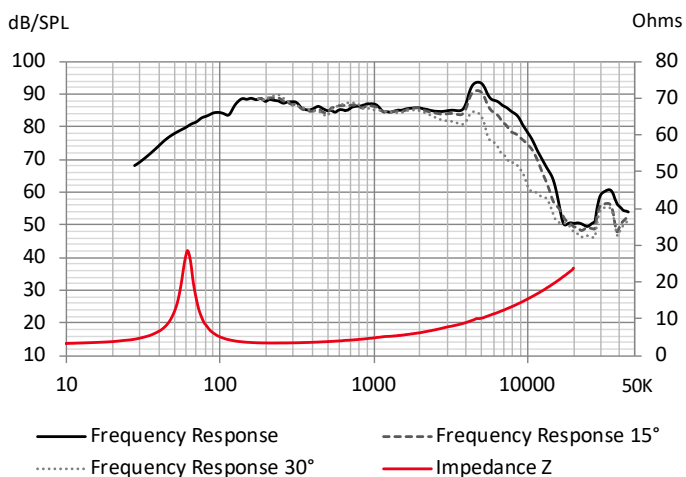
TECHNICAL SPECIFICATIONS

Component	Woofer	
Max power	180 W	
Nominal power	90 W	
Impedance	3 Ω	
Freq. Response	50 Hz - 8 KHz	
Sensitivity (2,83V/1m)	91.7 dB	
Magnet	Ferrite	
Magnet size Ø x h	85 x 20 mm	3.346 "x 0.787 "
Total driver displacement	0.35 l	0.012 cf
Weight of one component	1.2 kg	2.646 lb
Voice coil Ø	32 mm	1.260"
Voice coil height	15 mm	0.591"
Cone	Glass fiber	

Unit : mm



FREQUENCY RESPONSE / IMPEDANCE



THIELE-SMALL PARAMETERS

effective Ø (d)	130 mm
Sd	132.73 cm ²
Xmax	5 mm
Re	3 Ω
Fs	62.23 Hz
Le	142.67 µH @ 1 kHz
Le	294.07 µH @10 kHz
Vas	10.01 L
Mms	16.16 g
Cms	0.000404 m/N
BL	5.33 Tm
Qts	0.60
Qes	0.67
Qms	5.88
Sensitivity (dB/W/m)	87.4 dB

LIVE

LT 25

Tweeter



Driven by passion.

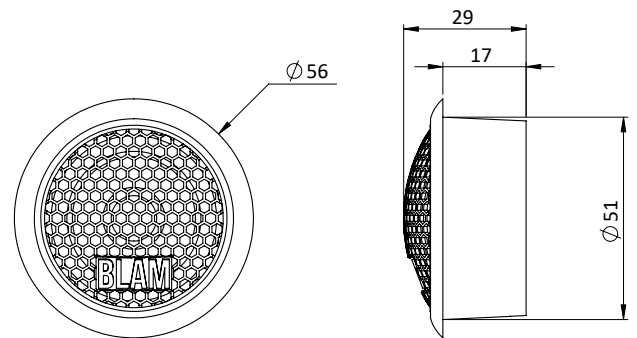
- 25 mm (1")
- High quality soft dome tweeter
- N38 neodymium motor



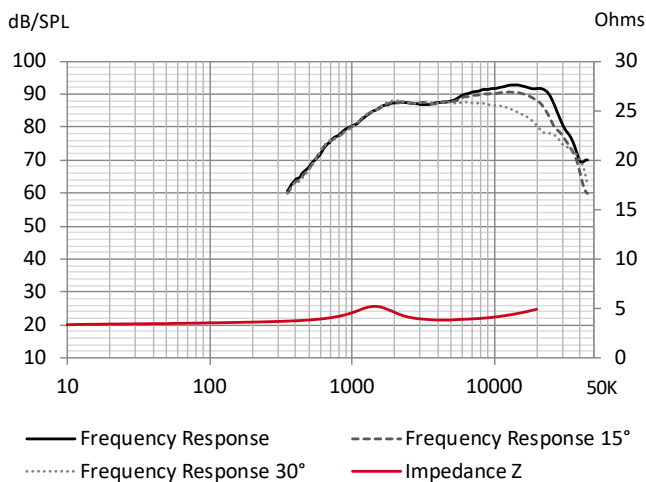
TECHNICAL SPECIFICATIONS

Component	Tweeter	
Max power	100 W	
Nominal power	15 W	
Impedance	3 Ω	
Freq. Response	2.5 KHz - 25 KHz	
Sensitivity (2,83V/1m)	91.6 dB	
Magnet	Neodymium	
Magnet size Ø x h	18 x 3 mm	0.709 "x 0.118 "
Total driver displacement	-	-
Weight of one component	0.096 kg	0.212 lb
Voice coil Ø	25 mm	0.984"
Voice coil height	2 mm	0.079"
Cone	Soft	

Unit : mm



FREQUENCY RESPONSE / IMPEDANCE



THIELE-SMALL PARAMETERS

effective Ø (d)	26 mm
Sd	5.31 cm ²
Xmax	-
Re	3.18 Ω
Fs	1501 Hz
Le	-
L2	-
Vas	-
Mms	-
Cms	-
BL	-
Qts	-
Qes	-
Qms	-
Sensitivity (dB/W/m)	87.6 dB

contact@blam-audio.fr
www.facebook.com/blamaudio

www.blam-audio.com