

Signature

BLAM

FRENCH SOUND

Driven by passion.

WS 6.100

High power woofer

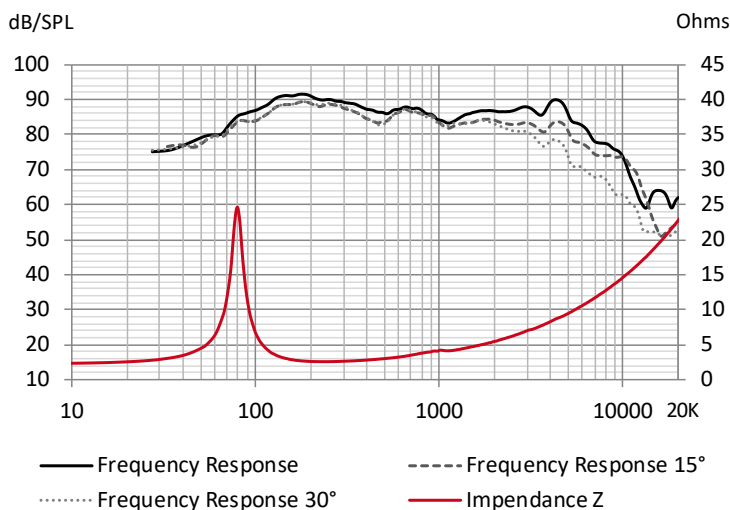
- Woofer 6-1/2" (165 mm)
- Max power 250 W / Nom. power 125 W
- Frequency response 50 Hz - 5 KHz
- Impedance 2 Ω

Die cast aluminium basket - Ultra rigid carbon fiber cone - NBR surround - Long life "Conex" spider - 38 mm (1.5") voice-coil on fiberglass former - Oversized 100 mm x 20 mm magnetic motor - Machined aluminium phase plug - Gold-plated terminal

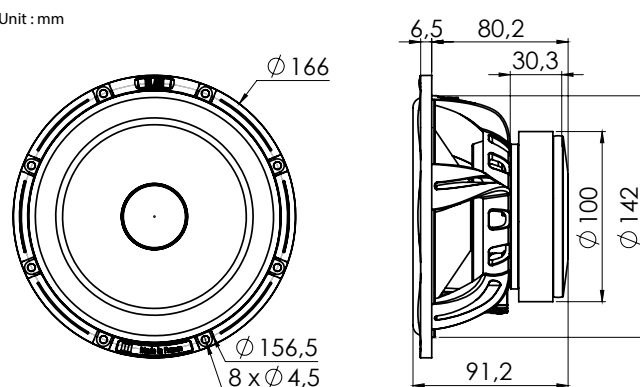
TECHNICAL SPECIFICATIONS

Component	Woofer	
Max power	250 W	
Nominal power	125 W	
Impedance	2 Ω	
Freq. Response	50 Hz - 5 KHz	
Sensitivity (2,83V/1m)	93,2 dB	
Magnet	Ferrite	
Magnet size Ø x h	100 x 20 mm	3,937 "x 0,787 "
Total driver displacement	0,3 l	0,011 cf
Weight of one component	1,81 kg	2,756 lb
Voice coil Ø	38 mm	1,496"
Voice coil height	17 mm	0,669"
Cone	Carbon fiber	

FREQUENCY RESPONSE / IMPEDANCE



Unit : mm



THIELE-SMALL PARAMETERS

effective Ø (d)	128 mm
Sd	128,68 cm ²
Xmax	6 mm
Re	2,1 Ω
Fs	79,43 Hz
Le	117,05 µH @ 1 kHz
Le	285,19 µH @10 kHz
Vas	6,6 L
Mms	14,16 g
Cms	0,000284 m/N
BL	4,59 Tm
Qts	0,74
Qes	0,81
Q0ms	7,86
Sensitivity (dB/W/m)	87,4 dB

contact@blam-audio.fr

www.facebook.com/blamaudio

www.blam-audio.com

Signature



Driven by passion.

TS 28

High sensitivity tweeter

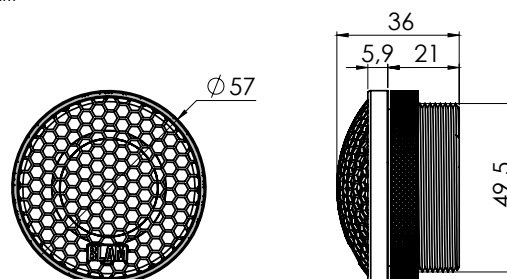
- 28 mm (1.1") soft dome tweeter
- 4 Ω , High efficiency neodymium magnet (N38H)
- Ferrofluid for high power handling
- Precision machined aluminum horn loading front plate
- Sound transparent protective grill



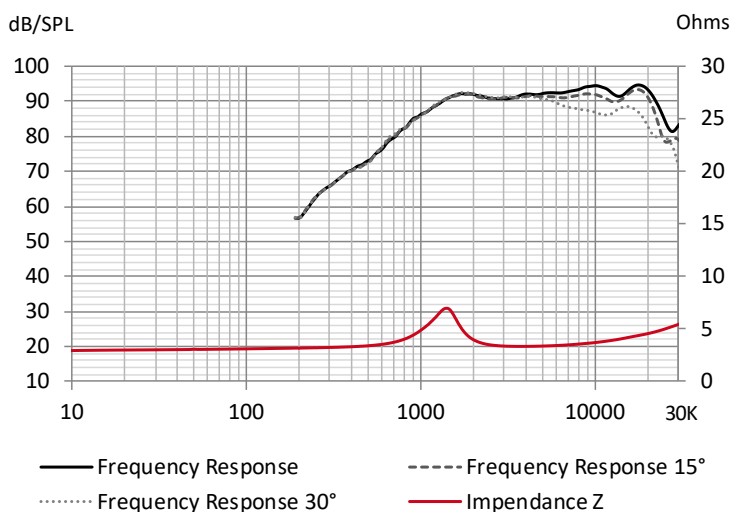
TECHNICAL SPECIFICATIONS

Component	Tweeter	
Max power	100 W	
Nominal power	15 W	
Impedance	4 Ω	
Freq. Response	2,5 KHz - 25 KHz	
Sensitivity (2,83V/1m)	93 dB	
Magnet	Neodymium	
Magnet size \varnothing x h	26,9 x 3 mm	1,059" x 0,118"
Total driver displacement	-	
Weight of one component	0,13 kg	0,287 lb
Voice coil \varnothing	28 mm	
Voice coil height	2 mm	0,079"
Cone	Soft dome	

Unit : mm



FREQUENCY RESPONSE / IMPEDANCE



THIELE-SMALL PARAMETERS

effective \varnothing (d)	32 mm
Sd	8,04 cm ²
Xmax	-
Re	4 Ω
Fs	1392,57 Hz
Le	-
L2	-
Vas	-
Mms	-
Cms	-
BL	-
Qts	-
Qes	-
Qms	-
Sensitivity (dB/W/m)	88,7 dB