

GAS
AUDIO POWER

MAD USER MANUAL



MAD PT3
PT3-254

MADE TO PLAY LOUD

WE PLAY LOUD!!

We know what you want. You want it LOUD, and that is exactly what we do, what we live for. Vibrations, gut-punches and straight up loud music - that's what makes us tick. We won't dress up in fancy words or claim to be something we're not. We are the NO BULLSH!T car audio brand!










Every single product with the GAS logo on it is born out of passion, the same that has driven us for two generations and that will keep us rolling up to your neighbourhood, winning and pushing the limits for many generations to come!

It's up to you to choose your own level of loud, and if you don't like what we do that's OK. You are welcome back when you've had your first true GAS experience. We don't exclude, we don't judge and we do not make up any excuses for who we are.

We are GAS and we are proud to be LOUD!

GAS

TABLE OF CONTENT

 SAFETY.....	3
 UNPACKING.....	4
 DIMENSIONS.....	4
 SPECIFICATIONS.....	5
MAD PT3-254.....	5
 FEATURES.....	6
Let's get the party started.....	6
Built to perform, built to last.....	6
Next level SPL tweeter.....	6
The Swedish cool factor.....	6
 HOW TO.....	7
Install tweeter.....	7
Mount tweeter.....	8
Tweeter placement.....	9
 TROUBLESHOOTING.....	10
No power/sound.....	10
Unwanted noise.....	10
Distortion.....	10
 WARRANTY & DISPOSAL	11
 THE GAS WORLD.....	12



SAFETY

PLAY LOUD & SAFE. Read through this information, follow the instructions and save the manual for future usage and reference.

Make sure to pay attention to the instructions when you see this symbol: 

Do not expose the wiring to your new speaker to excessive damp or moisture. If the speaker's wiring is exposed it might result in electric failure, shock or damage to the product. Servicing is required when the product has been damaged in any way and/or doesn't operate normally. Refer all servicing to qualified service personnel only.

Keep the cables inside the vehicle separate from sharp edges or components that may be affected or take damage. Follow the recommended cable sizes and always use high quality cables and accessories. Even if you're eager to put the speakers to use – take no shortcuts when installing the cables, make sure that all connectors are protected and secured.

Do not drill any holes without checking what lies beneath, and don't cut anything without making sure that no important components risk being damaged.

There is a first time for everything, if you need help – ask a friend or contact your local GAS AUDIO POWER dealer/installer.

We want you to experience your product's MAD sound, but we don't want you to injure yourself or others. Use common sense, respect high pressure levels and volume, and follow your local laws and regulations.

UNPACKING

Unboxing your new MAD product is an experience, make sure that the tweeters and all the accessories are included in the packaging:



Tweeter
(2pcs)

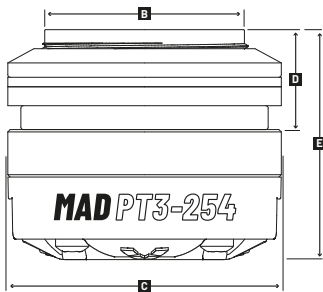
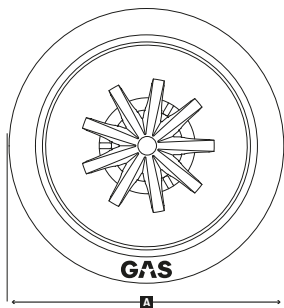


Crossover
(2pcs)



Manual
(1pc)

DIMENSIONS



	A	B	C	D	E	
PT3-254	Ø57	44	57	21	48	mm

SPECIFICATIONS

Below you'll find the specifications that has been checked and tested in our workshop. The specified sensitivity isn't directly connected with the sound pressure in the vehicle, and shouldn't be used as the sole indicator for comparison with other tweeters.

MAD PT3-254 TWEETER

Component	SPL tweeter
Tweeter size	1" (25mm)
Nominal impedance	4 Ohm
Power RMS	60W
Power MAX	120W
Freq. response	3000-22000Hz
Sensitivity	105dB
Voice Coil	1" KSV
Cone	HT Aluminum
Frame	Aluminum
Shorting ring	Yes, Copper
Magnet	HQ Neodymium
Terminal	Crosshead
Fs	2790Hz

CROSSOVER

Type	High pass
Slope	12dB
Cut off	6500Hz

FEATURES

Make your friends green with envy with the MAD PT3-254, a pair of 1-inch car audio tweeters that are built for extreme performance. These tweeters are designed to be LOUD, extremely cool-looking, and bold, and they'll take your listening experience to new heights.

LET'S GET THE PARTY STARTED

The MAD PT3-254 boasts an extremely high sensitivity of 105 dB, which translates to crazy amounts of sound output. Get ready to be blown away - that's a GAS promise. With awesome heat dissipation and sound dispersion, these tweeters will make sure your favorite songs will be heard clearly all over the biggest parking lot - no matter the volume!

BUILT TO PERFORM, BUILT TO LAST

These tweeters aren't just LOUD and wild, they're built to last. They feature a neodymium magnet, known for its extreme power and durability, to make sure the PT3-254 has enough LOUD to satisfy your SPL needs. The tweeter also has an aluminum frame and cone, to withstand the toughest conditions and longest cruises - while keeping heat at a minimum.

NEXT LEVEL SPL TWEETER

Engineered for awesome sound, with a copper shorting ring for ultra-low distortion, ensuring that you'll hear EVERY single element and sound of your bangin' playlists. With the inline 12 dB crossover, these tweeters are protected and can produce even more sound, taking your audio to the EXTREME!

THE SWEDISH COOL FACTOR

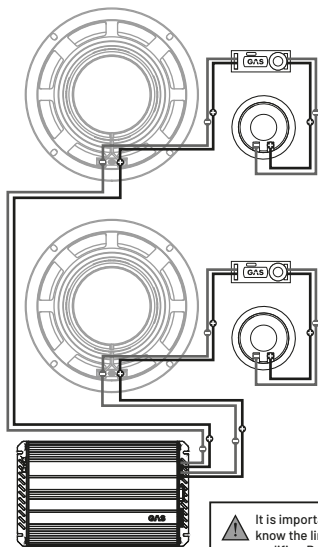
The MAD PT3-254 is equipped with screw terminals for a quick & easy installation with a secure connection. Our bold and MAD tweeter design will give you a kick ass sound and make everyone jealous of your crazy SPL build.

HOW TO

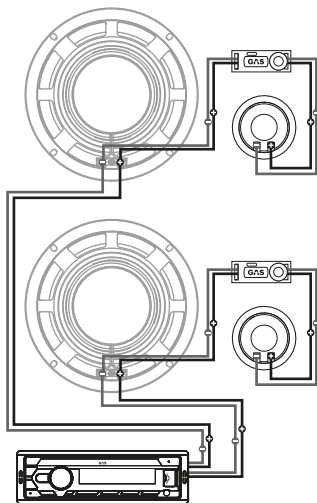
INSTALL TWEETER

Before installing your brand new tweeters, make sure you have everything you need. Have the right tools ready, and make sure you have the know-how/skills to perform the installation properly. Preparation and knowledge is crucial!

The PT3-254 tweeters also include crossovers. The crossover should be wired between a midrange woofer and the tweeter, or an amplifier and the tweeter. It makes sure that the tweeter plays on the right part of the LOUD spectrum.



**Two 4 Ohm speakers
connected with an
amplifier @ 4 Ohm**



**Two 4 Ohm speakers
connected directly
to a stereo @ 4 Ohm**

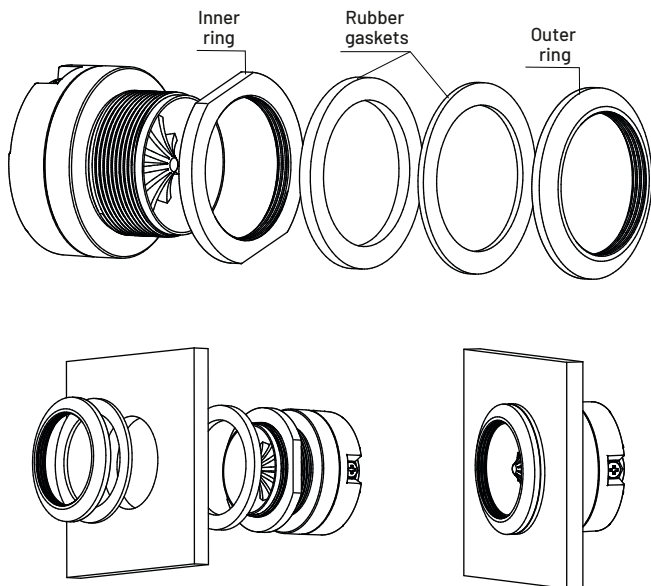


It is important to know the limits of your amplifier. Be sure to connect your sound system with a suitable impedance to optimize your sound system.

HOW TO

MOUNT TWEETER

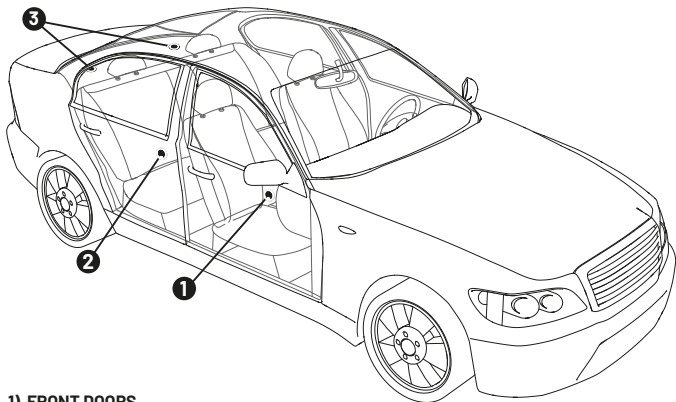
Experience versatile installation options with the MAD PT3-254 tweeter. Its outer ring is adjustable, allowing you to adjust the mounting depth to your desired level. The included two rubber gaskets ensure a secure fit when mounting the PT3-254 in a baffle. The inner ring serves as a secure holder, keeping the tweeter firmly in place, and it can be locked with a simple turn of a wrench.



HOW TO

TWEETER PLACEMENT

Now that you know how to connect your tweeters, you need to decide where to put them. You will most likely have one or two possible locations to put the tweeters depending on make and model. This is where the fun begins!



1) FRONT DOORS

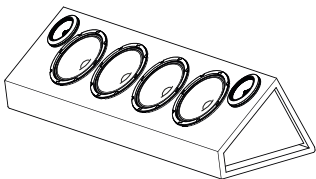
The front right and left doors are typical positions for woofers, but in some models you'll find tweeters here as well that is complementing the woofers.

2) BACK DOORS

Some car models out there have a 2-way system in the back. If your car's on the more luxurious side of the spectrum, you might find a tweeter in both the front and rear.

3) SPL BOX

It's more and more common to use a SPL BOX on the back shelf. Mount two tweeters along with a couple of SPL midrange and you have a SPL BOX that really plays LOUD.



TROUBLESHOOTING

NO POWER/SOUND

Check the speakers to make sure they're not damaged. If your speakers don't get any power, the most common issue is either in the wiring or in the amplifier. Use a multimeter to measure the amplifier's voltage on the +12V terminal and the remote signal terminal. Use a multimeter to make sure that you have a negative ground connection. Check the built-in fuse (if there's one) on the amplifier. If there's no power coming through - control the fuse on the power cable. If it's intact - make a full check of the wiring to ensure cable integrity.

Check all the speakers connected to your sound system. Check all the speaker cables and all the signal cables. Check your head unit to make sure no settings are limiting the amplifier's functions or the speakers. When all of the above has been tested/looked over, and all is as it should be but there's still no sound, consult your local GAS AUDIO POWER dealer/installer.

UNWANTED NOISE

Start by looking over the speakers in the sound system so there is no damage or connection issue with the wiring. Make sure that your signal cables or speaker cables aren't too close to the power cables. Check your amplifier's grounding point and make sure that the surface is clean. When all of the above has been tested /looked over, and the unwanted noise does not vanish, consult your local GAS AUDIO POWER dealer/installer.

DISTORTION

Start by looking over the speakers in the sound system so there's no damage or connection issue with the wiring. Check the speaker cables to make sure that the polarity isn't reversed on one channel. Check the settings on the amplifier, make sure that the gain/level is set according to the amplifier's instructions. If your amplifier has a boost function, lower its effect or turn it off.



WARRANTY & DISPOSAL

This product is covered by warranty, depending on the conditions in the country where it's sold. If the product is returned for service, please include the original dated receipt (or a copy) with the product. Make sure that the product is packaged properly and secured, preferably in its original packaging.



The crossed-out wheellie bin symbol means that the product, literature and packaging included must be taken to separate collection at the end of their working life. Don't dispose of these products as unsorted municipal waste: take them for recycling. For info on your nearest recycling point, check with your local waste authority.



This product has been granted with the CE certification mark to show that the product follows the health, safety, and environmental protection standards for products sold within the European Economic Area (EEA).



GAS Audio Power products comply with the relevant provisions of the RoHS Directive for the European Union. In common with all Electrical and Electronic Equipment (EEE) the product shouldn't be disposed of as household waste. Alternative arrangements may apply in other jurisdictions.



GAS Audio Power is a global partner of the European Mobile Media Association, an organization that focus on promoting the custom made mobile media installations to consumers.

THE GAS WORLD

You've entered the world of GAS. We aim to please, and we've made sure to have products made for you. No matter what stage of the LOUD-addiction you might find yourself in, there is a GAS product to fill your need.

MAD

Just starting out? The MAD series is made to play LOUD and to be the express lane to a no bullsh!t sound system that will make sure everyone can hear you coming!

MAX

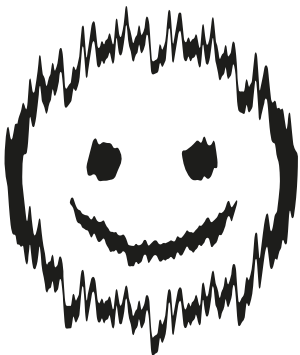
The MAX series holds products made to deserve the center stage. Powerful, heavy duty and de- signed to be noticed. We made NO COMPROMISES because we know that you wouldn't accept it.

CMP

The CMP series has been developed for the crucial seconds when the dB-counter starts to tick. All CMP products have hand-picked, high quality, COMPETITION GRADE components and they are specially designed to withstand an awesome amount of power.



THANKS FOR JOINING GAS AUDIO POWER!



GAS
AUDIO POWER

GAS AUDIO POWER and SHAKY are registered trademarks by Winn Scandinavia AB and is protected by relevant laws and jurisdictions such as Copyright and Trademark laws.

Winn Scandinavia AB | Elementvägen 15, 70227 Örebro, Sweden | www.winnscandinavia.com

Winn Scandinavia AB reserves for possible typos, factual or numeric errors that may have been printed on any products, package designs, user manuals and/or other included accessories.



GAS
AUDIO POWER