



POWER

RMS 550_w

MAX 1100_w

MAX S1-8D1

NEXT LEVEL BASS

A MAX subwoofer is designed to test the limits and match your dedication in performance and style. Made for the hardcore bass heads out there - with a rigid and durable cone made by non-pressed paper with Mica minerals that perfectly balances awesome power, weight and musicality.

MADE TO MOVE

The dust cap is made of IMPP for a unique 3D design, an idea we borrowed from the MAD S2 series. But since this is MAX, we took it one step further with a 2.5-inch dual voice coil wire made of PCW (Pure Copper Wire) and an impressive high roll foam suspension, for more of that awesome cone movement. We've also included a bumped back plate for some extra mechanical Xmax, which also minimizes the risk of voice coil damage.

TUNED TO THE EXTREME

The MAX S1-8D1 will let everyone know that your audio dedication is real. No detail has been overseen, and no compromises have been made. We show our dedication to the craft of bass with dual stacked HQ ferrite magnets to achieve an insane amount of motor in the subwoofer. We've also added a Dual Nomex spider and dual stitching for extra durability, to make sure that the last thing standing will be your sound system. This is a subwoofer that is extreme and over the top, as it should be!

COOLEST SUBWOOFER ON THE BLOCK

The MAX S1 will show everyone that you have reached the next level, the MAX level. Having a subwoofer perform at this level demands extremely good ventilation. Only the best and beyond is good enough! We solved the cooling in two different ways. The material in the top/back plate is thicker for optimal heat conduction, and the implemented DVS2 (Dual Ventilation System) creates incredible heat dissipation while also reducing distortion.

SPECIFICATIONS

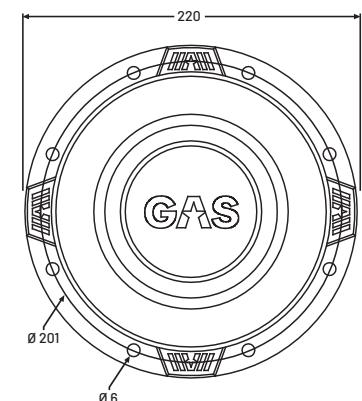
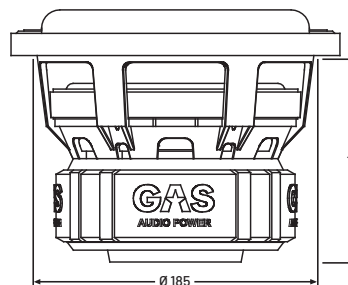
MAX S1-8D1

Component	Subwoofer
Size	8" (200mm)
Nominal impedance	1+1 Ohm
Power RMS	550W
Power MAX	1100W
Freq. response	25-200Hz
Voice coil	Dual 2.5" PCW
Voice coil former	Aluminum
Cone	Non-Pressed Paper
Dustcap	3D IMPP
Basket	HD Aluminum
Magnet	2x56oz HQ Ferrite
Suspension	High roll foam with stitch
Spider	Dual Nomex
Tinsel	Dual silver coated leads
Terminal	Heavy duty push terminals
Weight	8.7 KG

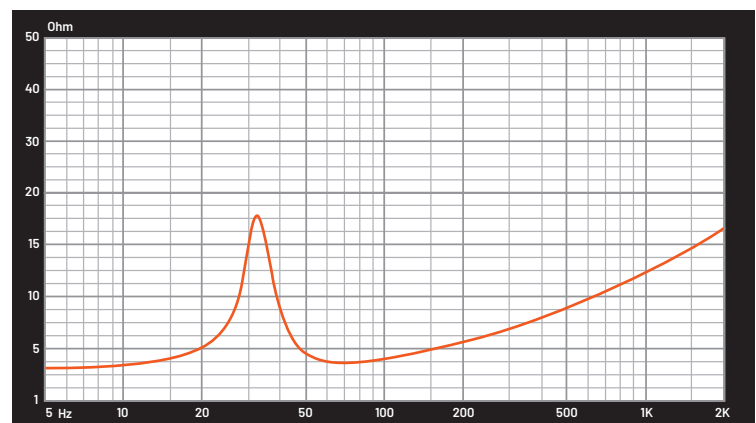
THIELE/SMALL PARAMETERS

S1-8D1	
Impedance	1+1 Ohm
Re	1.8 Ohm
Fs	33.1Hz
Qms	3.78
Qes	0.47
Qts	0.42
Vas	8.8 L
Sd (cm ²)	201
Mms	147.5 g
Le	0.87 mH
Xmax	12mm
dB/SPL	80dB 1W/1M
BI	11.4
Driver Vol. Displacement	1.4 L

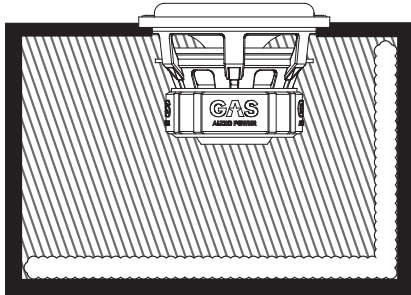
DIMENSIONS (mm)



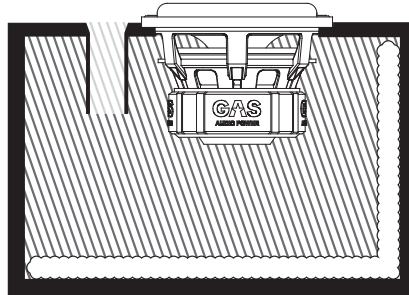
IMPEDANCE VS FREQUENCY



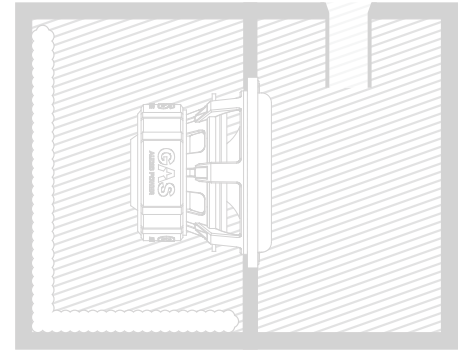
ENCLOSURE RECOMMENDATIONS



SEALED



VENTED



4TH ORDER BANDPASS

MAX S1-8D1:

	VOLUME	F3	QTC	FB	PORT	LENGTH	POLYFILL
SEALED	8L*	64Hz	0.57	x	x	x	Medium
VENTED	23.5L*	37Hz	x	45Hz	1x3" (70mm)	225mm	Medium
VENTED SPL	31.5L*	37Hz	x	47Hz	1x4" (104mm)	365mm	x

* Driver displacement volume included

